



PLD-25/NST **MAINTAINED / NON MAINTAINED EMERGENCY LED ILLUMINATION SIGN**



TECHNICAL CHARACTERISTICS (for LED MODULE Specifications see page 3)	
Mains voltage	220-240V AC/50-60Hz
Maximum power consumption	4.3W / 4.6VA
Battery (Ni-MH)	3.6V/1.5Ah
Battery protection	Overcharging and deep discharging protection
Indications / Control	Charge LED / Test button
Recharging time	24h
Minimum emergency duration	3h
Light source intensity (230V / emerg.)	90lm / 100lm
Viewing distance	26m
Degrees of cover protection	IP44
Produced in accordance with	EN 60598-1, EN 60598-2-22, EN 55015, EN 61547, EN 61000-3-2, EN 61000-3-3
Operation temperature range	5 to 40 °C
Relative humidity	up to 95%
Construction materials	Fire retardant ABS, Acrylic plate
External dimensions (LxWxH)	280x49x209mm
Typical weight	880gr.
Guarantee	3 years (1 year for the battery)

**Thank you for your trust in our products
Olympia Electronics - European manufacturer**

GENERAL

These luminaires are used indoors (ta 40°C) where emergency light is needed. Each luminaire must be permanently connected to mains power supply. In normal operation the led strip lights and the battery is charging. In case of a mains power supply failure the luminaire will light the led strip automatically in emergency mode (powered by its battery). When the mains power supply is restored the device turns to normal operation.

INSTALLATION

To install the luminaire follow the installation instructions on page 3,4 and 5.

Non maintained / maintained operation

There is an option to select the non maintained or maintained operation by placing the jumper to the appropriate place according to the step 3 (page 2).

Test Button Operation

By pressing the test button and as long as you keep pressing it, you may check the emergency operation of the luminaire. When the test button is released the luminaire turns to its normal operation.

ATTENTION!!!

1. Operations for installation, maintainance or testing must be done by authorized personnel only.
2. The luminaire must be connected to the mains power supply through a fuse dependent on the total amount of the line's power load.
3. It is suggested to check every month the indication LED for battery charging, and by pushing the TEST button to check the emergency circuit. The led strip should light as long as the TEST button is pressed. If the luminaire doesn't work as described above contact the installer.
4. It is suggested to check every 6 months the minimum autononous duration by disconnecting the mains power supply. Count the time that the led strip lights and

in case of less time than the minimum autonomous duration the battery must be replaced. If the measured time is considerably less than the minimum autonomous duration contact the installer. In case of battery or led strip replacement, these must be replaced by parts of the same type, by the manufacturer or by a competent person.

5. In case of inactive use for a period greater than 2 months, disconnect the battery by pulling out the battery's connector.

6. It is not allowed to discard batteries in to common trash bins, they must be discarded only in battery recycling points. Do not incinerate.



NOTE: LED= Light Emitting Diode

LABELING EXPLANATION:

X: Self contained

1: Maintained (*)

A: Including test device

G: Internally illuminated safety sign

180: 3 hours duration

(*) Maintained operation: The luminaire lights its illumination source, when it is powered by the mains power supply or not.

Non Maintained operation: The luminaire lights its illumination source, only in power supply's failure.



The light source contained in this luminaire shall only be replaced by the manufacturer, or his agent, or a similar qualified person.

NOTE! *The light source is non-user replaceable.*

WARRANTY

Olympia Electronics guarantees the quality, condition and operation of the goods. The period of warranty is specified in the official catalogue of Olympia Electronics and also in the technical leaflet, which accompanies each product. This warranty ceases to exist if the buyer does not follow the technical instructions included in official documents given by Olympia Electronics or if the buyer modifies the goods provided or has any repairs or re-setting done by a third party, unless Olympia Electronics has fully agreed to them in writing. Products that have been damaged can be returned to the premises of our company for repair or replacement, as long as the warranty period is valid.

Olympia Electronics reserves the right to repair or to replace the returned goods and to or not charge the buyer depending on the reason of deflection. Olympia Electronics reserves the right to charge or not the buyer the transportation cost.

HEAD OFFICE

72nd km. O.N.R. Thessaloniki-Katerini
P.C. 60300 P.O. Box 06 Eginio Pierias
Greece

www.olympia-electronics.gr
info@olympia-electronics.gr

INSTALLATION INSTRUCTIONS

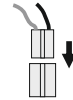
①

ELECTRICAL CONNECTIONS

- ① Pass through the cables from the entry hole and connect them as shown in the picture. **N** for neutral **L** for live wire and **PE** for ground (optional).
- ② Connect the battery's connector to the respective connector on P.C.B.
- ③ Select the required operation with the respective jumper.
- ④ Place upwards the luminaire until the plastic hooks are securely locked.
- ⑤ Power on the device.



②



SURFACE MOUNTING ON A WALL (single sided)

Dismantle the luminaire, install the plastic bracket on the wall (page 4) and perform the respective steps of the electrical connections.

CEILING INSTALLATION

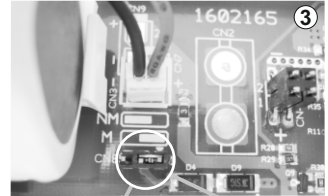
Dismantle the luminaire, install the plastic bracket on the ceiling (page 4) and perform the respective steps of the electrical connections.

HANGING INSTALLATION (optional)

Install the mounting base (tube) on the ceiling (page 4) and perform the respective steps of the electrical connections.

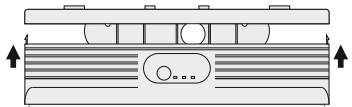
FLAG MOUNTING INSTALLATION (optional)

Install the flag mounting base on the wall (page 5) and perform the respective steps of the electrical connections.



Μη συνεχής λειτουργία
 Συνεχής λειτουργία (εργοστασιακά)

④



NOTE!! After finishing the installation you must power the luminaire for at least 24 hours for battery charging to perform the nominal autonomy.

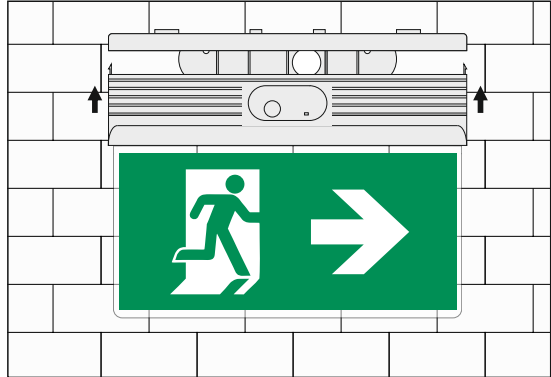
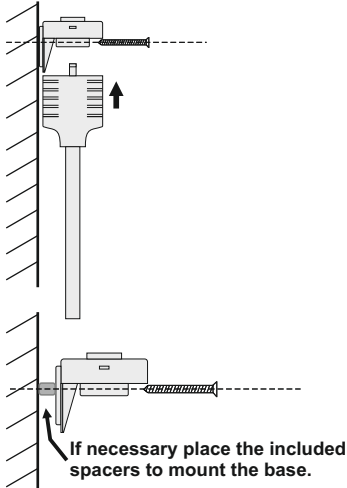


LED MODULE CHARACTERISTICS

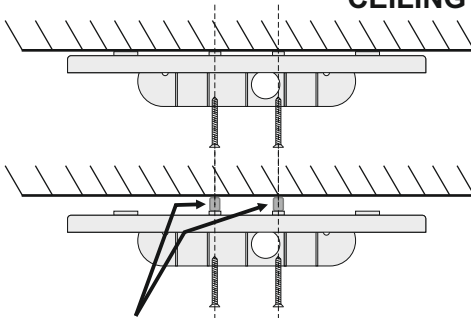
LED MODULE CHARACTERISTICS	
PLD-25/NST	
Manufacturer	Olympia Electronics S.A
Model Number	1402163
Voltage Range	2.9-3.6V DC
Nominal Power	780mW
Connections	Non reversible connection between main pcb and led module
Temperature (tc)	45 °C max. across the board

SUGGESTED MOUNTING METHODS

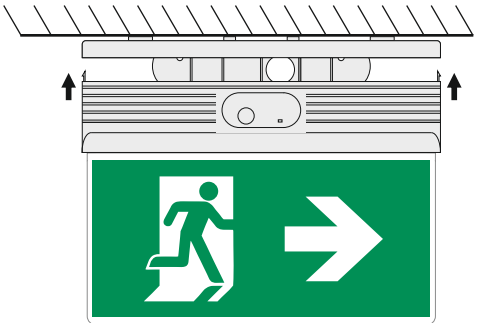
SURFACE MOUNTING ON A WALL (single side luminaire)



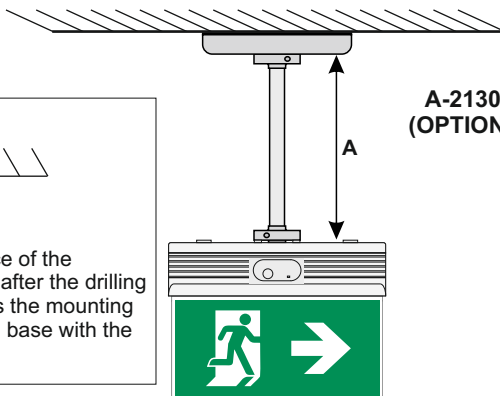
CEILING MOUNTED



If necessary place the included spacers to mount the base.



HANGING INSTALLATION



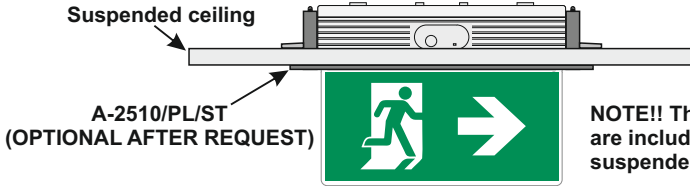
A-2130, A-2131, A-2132 SET
(OPTIONAL AFTER REQUEST)

	Tube
A-2130	A=1m
A-2131	A=0.5m
A-2132	A=0.25m

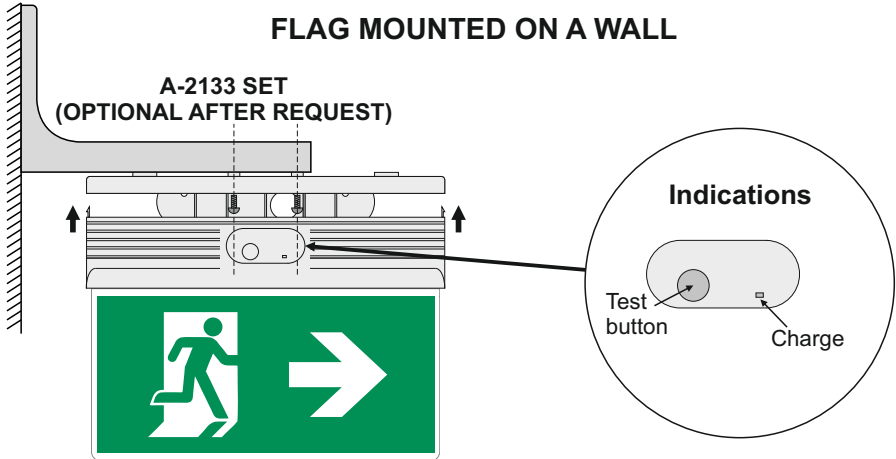
GENERAL!!

Measure the distance of the mounting holes and after the drilling place on these spots the mounting plugs and fasten the base with the mounting screws.

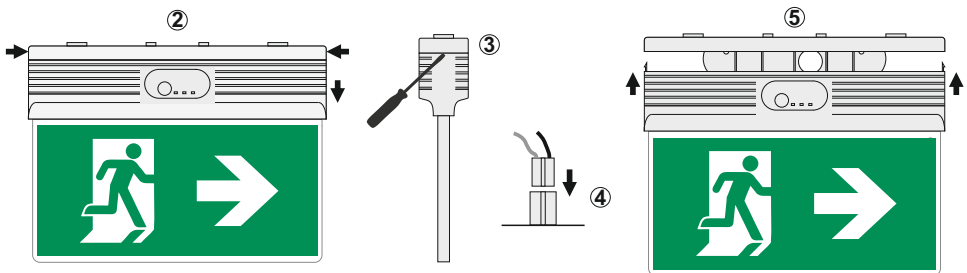
SUSPENDED CEILING INSTALLATION



FLAG MOUNTED ON A WALL



Battery replacement process



- ① Power off the device
- ② Dismantle the luminaire by pushing the lock/unlock hooks on each side and pull it down.
- ③ Use a flat screwdriver at the indication point in order to open the luminaire.
- ④ Remove the old battery and install the new battery's connector to the appropriate P.C.B connector.
- ⑤ Place upwards the luminaire until the plastic hooks are securely locked.
- ⑥ Power on the device.