





# EMERGENCY LIGHTING

## SKY LINE LED

### Lamp Options

LED

### Materials

- White polycarbonate base and reflector
- Clear polycarbonate diffuser
- Acrylic based double sided panel

### Installation

- Wall and ceiling mounted
- Surface or recessed installation in false ceilings
- Pictograms: Single side glue-less
- Pictograms with 30m viewing distance, ISO7010 compliant
- Double sided panel with a 30m viewing distance

### Options

- Communication options via addon modules
- 1,5 or 3 hour duration
- Double sided panel

### Autotest capability

All the self-contained versions are equipped with a self-test system that performs automatic tests in accordance with standard EN62034.

### Applications

- Schools, shopping centres, stores, offices, public administration and all indoor environments
- Safety anti-panic lighting and escape route lighting

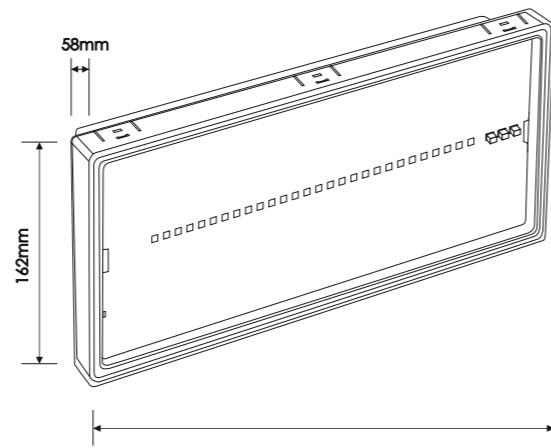
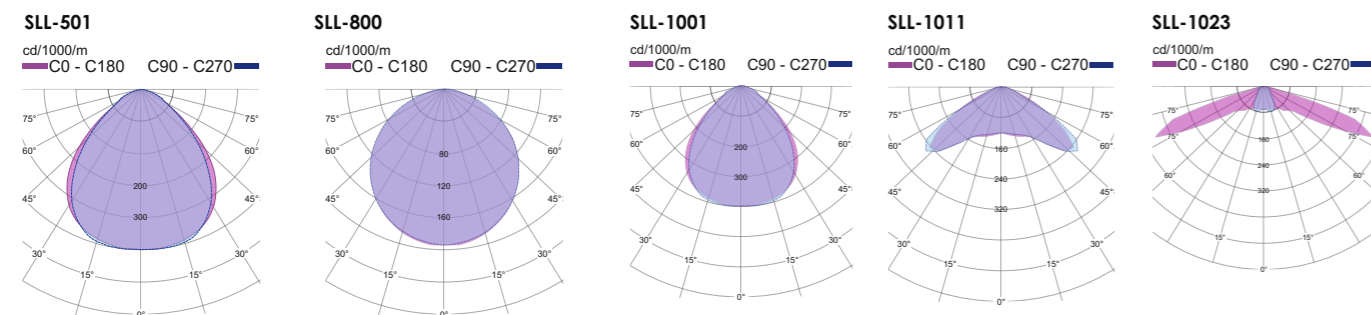
### Pictograms

- The pictograms conform to the international standard ISO7010
- The pictograms are easily positioned behind the transparent diffuser without the need for glue.

### Specifications

Self Contained - Auto-Test emergency luminaires \_ IP65. Available in 30m and 30m(Double sided legend) viewing distances. Can be Recessed/Surface and wall mounted. Suitable for use as an emergency luminaire or exit sign by applying the required Pictogram / Panel legend.

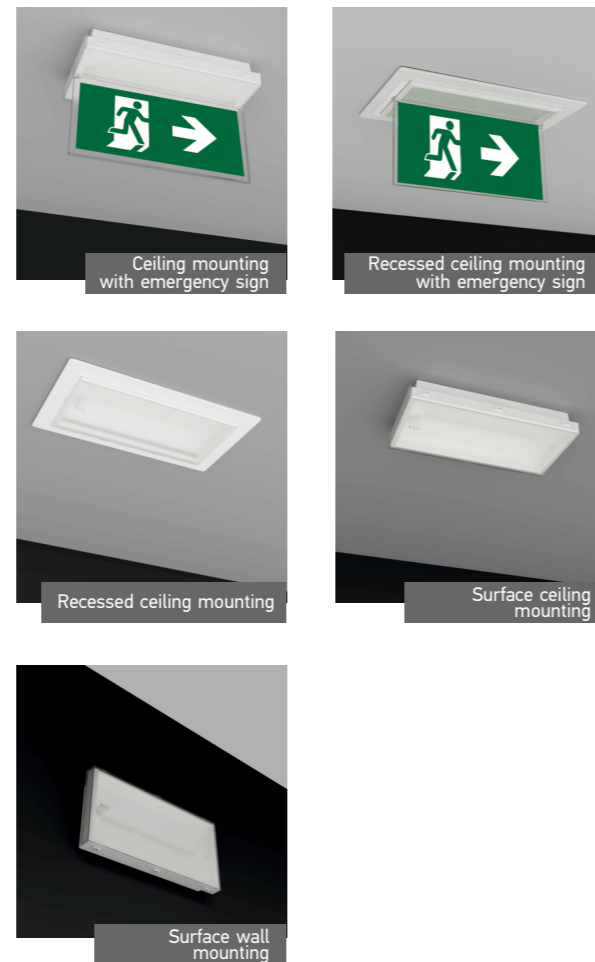
### Photometric Data



### Dimensions

Product	Length (mm)	Width (mm)	Depth (mm)
SKY LINE LED	322	162	58

### Methods of installation



# EMERGENCY LIGHTING

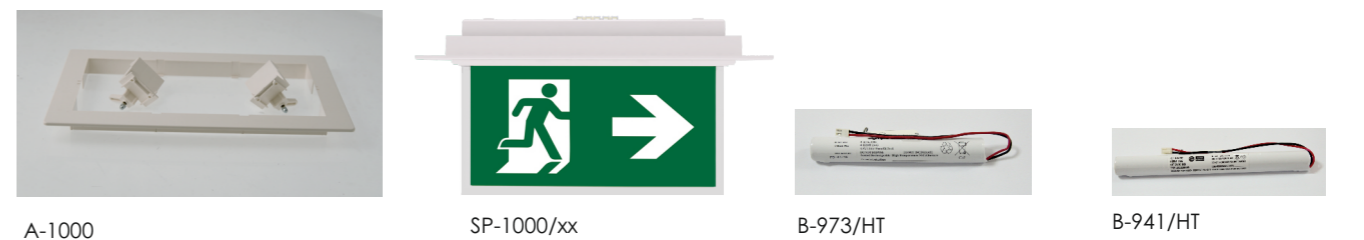
## SKY LINE LED



Code	Description	Consumption	Illumination	Duration	Battery	System Mode
923100100	SLL-1001/WP, IP65, SELF TESTING	11W/11,4VA	700/1000 lm	1,5 h	1 x B-941/HT	Maintained
923100300	SLL-1003/WP, IP65, SELF TESTING	11W/11,4VA	700/1000 lm	3 h	2 x B-941/HT	Maintained
923501000	SLL-501/WP, IP65, SELF TESTING	7,8W/8,2 VA	500/500 lm	1,5 h	1 x B-973/HT	Maintained
923503000	SLL-503/WP, IP65, SELF TESTING	7,8W/8,2 VA	500/500 lm	3 h	1 x B-941/HT	Maintained
923101100	SLL-1011/WP, IP65, SELF TESTING	11W/11,4 VA	630/1000lm	1,5 h	1 x B-941/HT	Maintained
923101300	SLL-1013/WP, IP65, SELF TESTING	11W/11,4 VA	630/1000lm	3 h	2 x B-941/HT	Maintained
923102100	SLL-1021/WP, IP65, SELF TESTING	11W/11,4 VA	630/1000lm	1,5 h	1 x B-941/HT	Maintained
923102300	SLL-1023/WP, IP65, SELF TESTING	11W/11,4 VA	630/1000lm	3 h	2 x B-941/HT	Maintained
923800000	SLL-800/LP/WP, IP65, SELF TESTING	14,7W/15,2 VA	800/770lm	3 h	2 x B-941/HT	Maintained

### Accessories

Code	Type	Description	Image
927100000	A-1000	Recessed mounting base for SKY LINE	
922100000	SP-1000/RL	Double sided acrylic marking panel 6mm Left/Right	
922100001	SP-1000/D	Double sided acrylic marking panel 6mm Down	
922100002	SP-1000/U	Double sided acrylic marking panel 6mm Up	
601214815	B-973/HT	Battery 4,8V/1,5Ah Ni-Cd	
601214830	B-941/HT	Battery 4,8V/3Ah Ni-Cd	



### Single-side pictograms included

Code	Type	Description	Image
804010000	SW-100x/R	Pictogram Right ISO single side 30m	
804010001	SW-100x/L	Pictogram Left ISO single side 30m	
804010002	SW-100x/DR	Pictogram Down ISO single side 30m	
* 804010008	SW-100x/U	Pictogram Up ISO single side 30m	

\*Optional

### Modules

Code	Type	Description
923660002	GR-6600/ADR	Addressable module for emergency lighting
923660004	GR-6600/REL	Fault relay module for emergency light
923660005	GR-6600/RM	Remote Control module for emergency lighting
923660003	GR-6600/WL	Wireless module for emergency lighting

