

serie/series

lako

LED

powered by
Seoul® Semiconductor 2525
AC direct connection
220/240V
Transformer not required

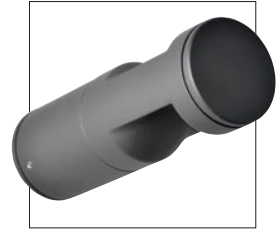
simmetrico
symmetric
symétriques
simétrico
symmetrisch

example code:

	art.	LED	colour
	409.018	L7H X1	oxi
	art.	LED	colour
	409.018	L7H X2	nhg

art. 409

designers Marco Bertoli
& Uff. Tecnico Landa



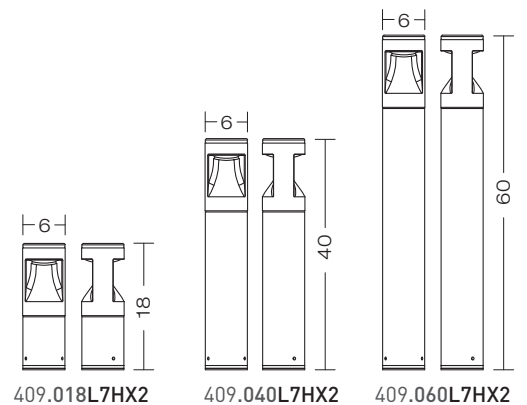
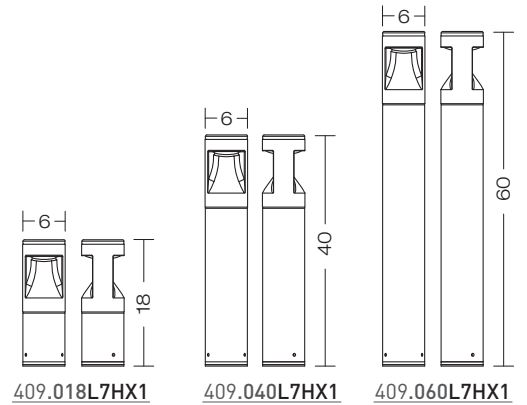
409

dettagli / details / details
detalles / details: p.61

CONTEMPORARY
72

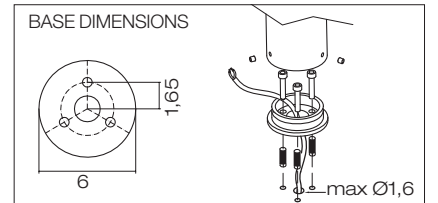
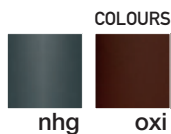
corpo alluminio pressofuso
e estruso
body in die casting and
extruded aluminium
corps en aluminium moulé
sous pression et extrudé
cuerpo aluminio inyectado y
extrusionado
Körper aus Aluminium-
Druckguss

diffusore policarbonato opale
diffuser opal polycarbonate
diffuseur polycarbonate
opaque
difusor policarbonato ópalo
Diffuser Polykarbonat opal



FOR TECHNICAL DETAILS VISIT
www.landa.it

IP65



ELECTRIFICATION

LED & INSTALLATION

dettagli / details / details
detalles / details:
p.A52-A53

Energy efficiency classes

L7HX1
LED 7 W
3000K
600LM
Ra80

A++ ÷ A

L7HX2
LED 7 W
3000K
600LM
Ra80

A++ ÷ A

Included in:



409.018L7HX1
.018L7HX2

code 0404M009
Single connection IP68



409.040L7HX1
.060L7HX1
.040L7HX2
.060L7HX2

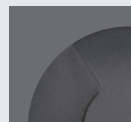
code 0404M004
Single connection IP68

lako

Projectors



Recessed



Contemporary



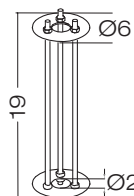
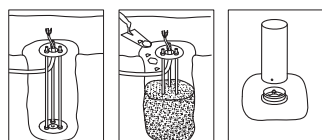
Traditional



CONTEMPORARY



Accessory on request:



code **00A409**
Root Mounting Kit

